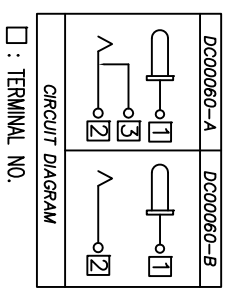
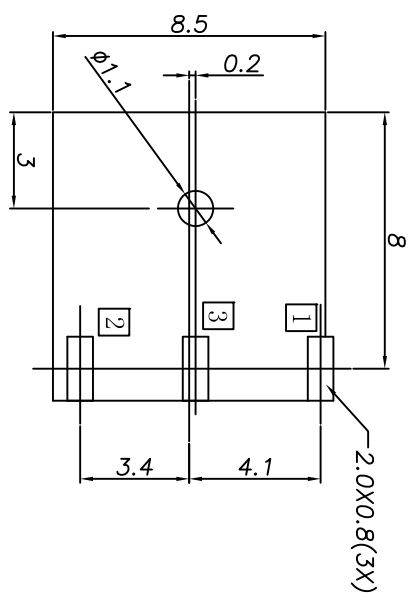
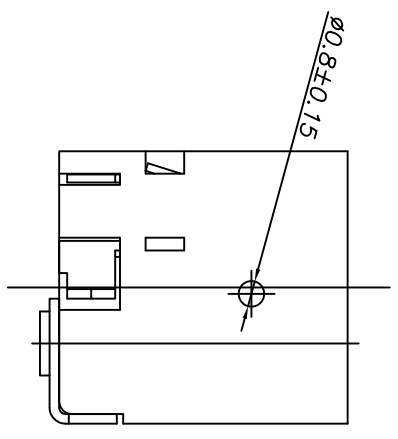
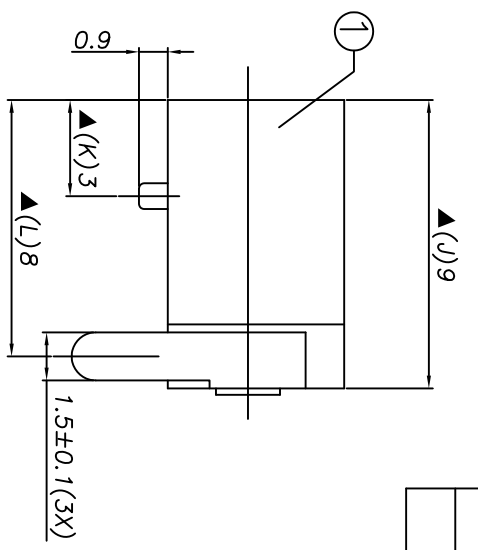
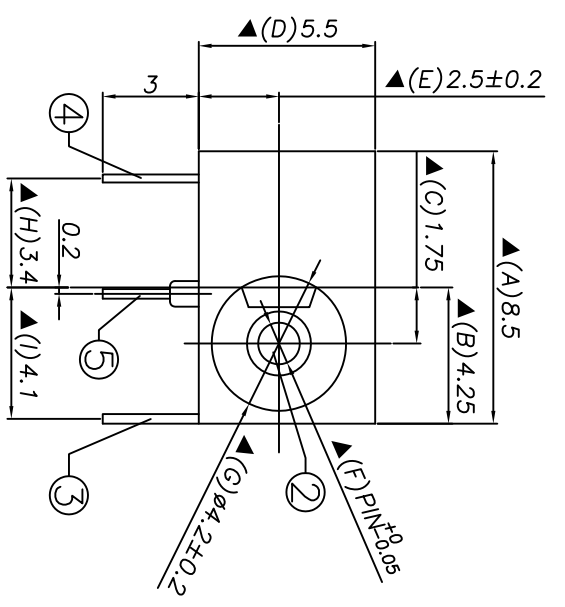


| REV. LTR. | DESCRIPTION | SIGN | DATE |
|-----------|----------------|------------|------------|
| | Update drawing | Zhangxiuke | 2011.06.13 |

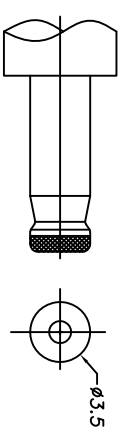
Ordering information:
 DC000060- (1) (2) (3)
 (1): Series No.
 (2): Schematic option:
 A, B
 (3): Center pin diameter:
 C= ϕ 1.0 E= ϕ 1.3



| Model No. | DC000060-__C | DC000060-__E |
|-----------|--------------|--------------|
| PIN | ϕ 1.0 | ϕ 1.3 |

RECOMMENDED P. C. B. LAYOUT

UNSPECIFIED TOLERANCE: \pm 0.05
 (BOTTOM VIEW)



DC MATE PLUG

- Specification:
- Rating : DC 20V 2A.
 - Contact resistance: \leq 50m Ω .
After test: \leq 100m Ω .
 - Insulation resistance: \geq 100M Ω (DC500V).
After test: \geq 50M Ω .
 - Withstanding voltage: 500VAC.
 - Insertion and extraction force: 3N~30N.
 - Life test: 5000cycles min.
 - Operation temperature range: -20 $^{\circ}$ C~70 $^{\circ}$ C.
 - Preservative temperature range: -40 $^{\circ}$ C~85 $^{\circ}$ C.
 - Sign "▲" is importance dimension.

| NO. | DESCRIPTION | QTY | MATERIAL | PART NO. | PLATING |
|-----|---------------------|-----|-----------------|----------------------------|----------------|
| ⑤ | Shunt terminal | 1 | Brass | DC000060-03(WP-896) | Tin plating |
| ④ | Tip spring | 1 | Stainless steel | DC000060-02(TP-869) | Tin plating |
| ③ | Center pin terminal | 1 | Brass | DC000060-01(PP-898) | Tin plating |
| ② | Center pin | 1 | Copper alloy | DC00006B-99C/E(YZ-DC00005) | Nickel plating |
| ① | Housing | 1 | PBT | DC000060-S1(ST-895) | Black |

| DESIGNER BY: | Zhangxiuke | 2011.06.13 |
|---|------------|------------|
| CHECK BY: | | |
| APPROVED BY: | | |
| 承永實業有限公司 BLUE SOURCES ELECTRONICS CO.,LTD. | | |